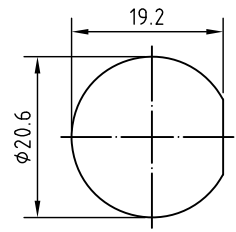
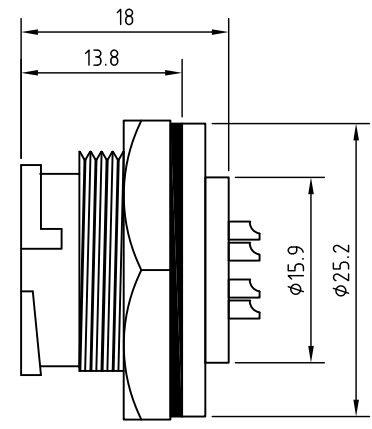
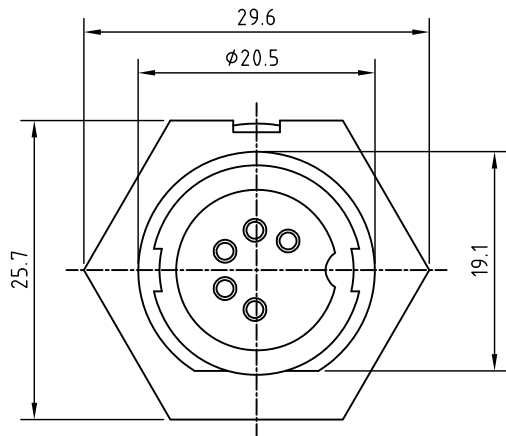


REV.	Description	Date
1	upgrade drawing	2015/6/10



Recommended Panel cut-out



Specification of connector

- Locking system : Twist Lock
- Termination : solder
- Shell protection : IP67
- Rated voltage : 250V
- Rated current : 5A
- Contact resistance : $\leq 10\text{m}\Omega$
- Insulation resistance : $\geq 10\text{M}\Omega$

RoHS
TOLERANCE X \pm 0.5 X.X \pm 0.3

4	O ring	Rubber	
3	Nut	PA	
2	Body	PA	
1	Pin	Brass	Gold plated
Item	Description	Material	Treat & Remark



Unicable Co., Ltd. 國陽電業有限公司

5F., No. 111-33, Sec. 4, San Ho Road., San Chung Dist., New Taipei City, Taiwan, R.O.C.
http://www.unicable.com.tw TEL:+886-2-2286-2122 FAX:+886-2-2286-1010

DATE	2018/10/5	PART NO.	UT-SD214F-5P
DWN	GINA	REV.	1
CHK			
UNIT	MM		

ITEM	Circular Connector Type C
------	---------------------------